

## Heavy Duty Inner Retainer Housing Kit

### Part No.

**72554-01K**

- Inner Retainer Housing
- Anti-wear Insert with Notch
- Anti-wear Inserts (11)

**NOTE:** In 45RFE and 545RFE, fits '07-later only. OE Part No. 4799648AD.

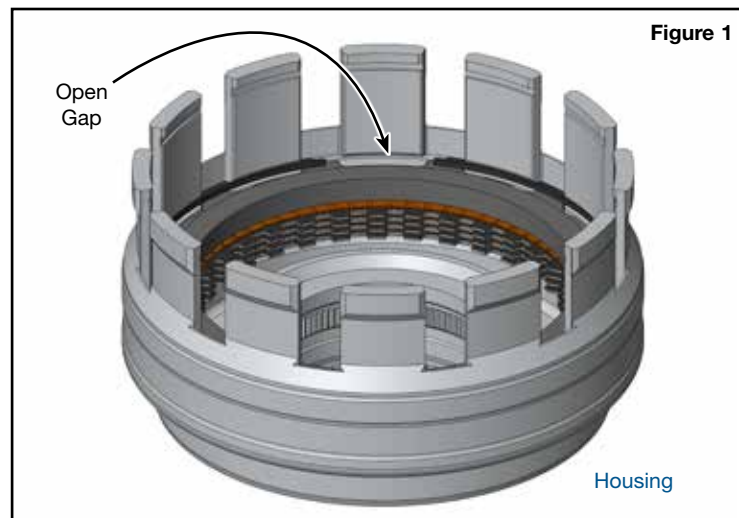
Patent No. 12,196,271

## Chrysler 45RFE, 545RFE, 65RFE, 66RFE, 68RFE



### Retainer & Insert Assembly

- Build up the input clutch assembly to the point of installing the UD/OD reaction plate tapered snap ring.
- Orientation of the tapered snap ring is critical for installation of the Sonnax anti-wear inserts. Install the tapered snap ring so the open gap completely straddles one of the lugs in the input clutch retainer (**Figure 1**).
- Select the single anti-wear insert with notch on the lower tab (**main photo**).



#### Retainer & Insert Assembly (continued)

- d. Place the single anti-wear insert with the notch on the lower tab onto the lug between the open gap of the tapered snap ring (**Figure 2**).
- e. Place the remaining 11 anti-wear inserts over the other lugs of the input clutch retainer (**Figures 2 & 3**).
- f. Verify the anti-wear inserts are fully seated downward and the upper (reverse) snap ring groove in the input clutch retainer is not blocked by any of the inserts (**Figure 3**).
- g. Build up the remainder of the input clutch assembly using normal assembly procedures.

