

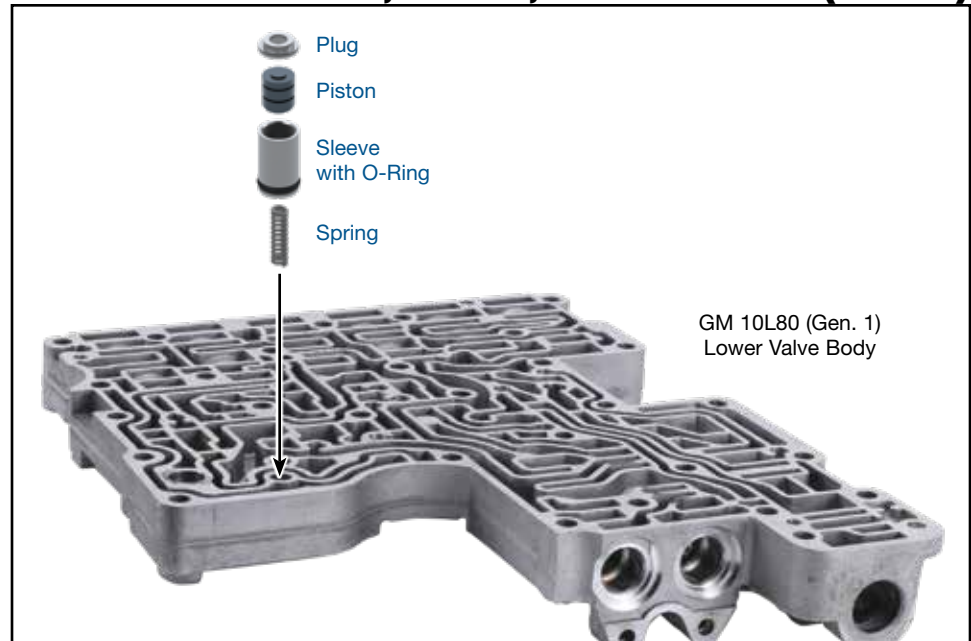
TCC Signal Damper Piston Kit

Part No.
105740-06K

- Plug
- Piston
- Sleeve
- Spring
- O-Rings (2)

1 Extra

Ford 10R60, 10R80; GM 10L80/90 (Gen. 1)



1. Disassembly

Remove and discard the OE piston and spring.

2. Installation & Assembly

- Be certain all debris has been removed from valve bore and valve body.
- Install O-ring into groove of Sonnax sleeve. Lubricate O-ringed sleeve with Sonnax Slippery Stick **O-LUBE**. Roll on bench to size O-ring into groove.
- Install Sonnax spring into the Sonnax piston/sleeve assembly through the bottom hole.
- Install Sonnax piston/sleeve assembly and spring into the bore.
- Install the plug on top of the piston/sleeve assembly so the smaller end is facing up. This smaller end is meant to go through the hole in the separator plate.

3. Final Testing

Vacuum testing at the port(s) indicated holds the recommended minimum 18 in-Hg.

