

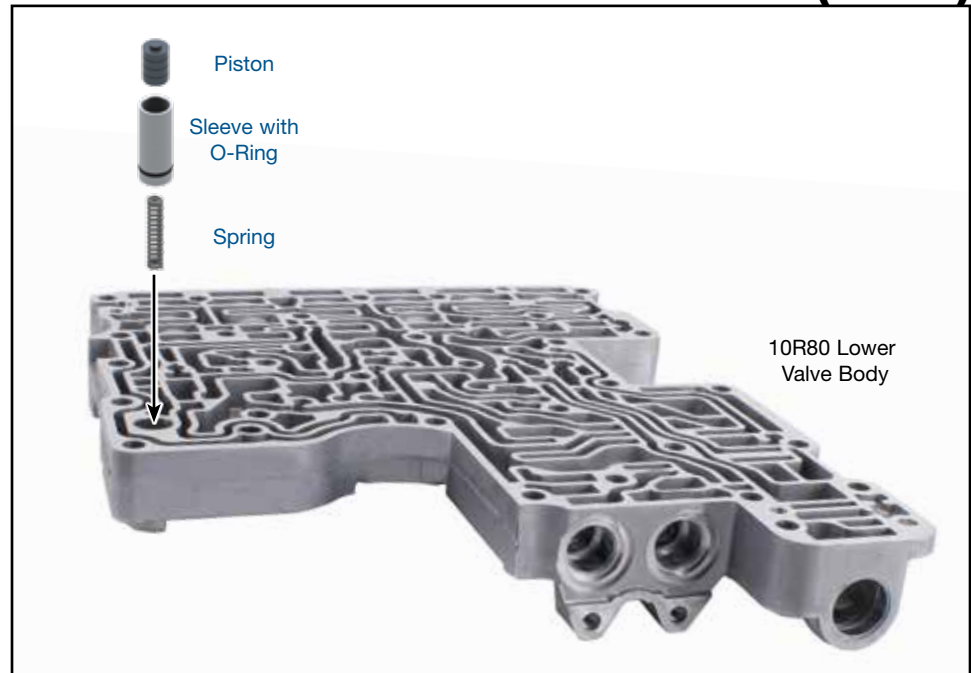
Ford 10R60, 10R80, 10R90, 10R140; GM 10L80/90 (Gen. 1)

LPC Signal Damper Piston Kit

Part No.
105740-04K

- Piston
- Sleeve
- Spring
- O-Rings (2)

1 Extra



1. Disassembly

Remove and discard the OE damper piston and spring.

2. Installation & Assembly

- Be certain all debris has been removed from the valve bore and valve body.
- Install O-ring into groove of Sonnax sleeve. Lubricate O-ringed sleeve with Sonnax Slippery Stick **O-LUBE**. Roll on bench to size O-ring into groove.
- Install Sonnax spring into Sonnax piston/sleeve assembly through the bottom hole.
- Install the Sonnax assembly and Sonnax spring into the bore.

3. Final Testing

Vacuum testing at their port(s) indicated holds the recommended minimum 18 in.-Hg.

