

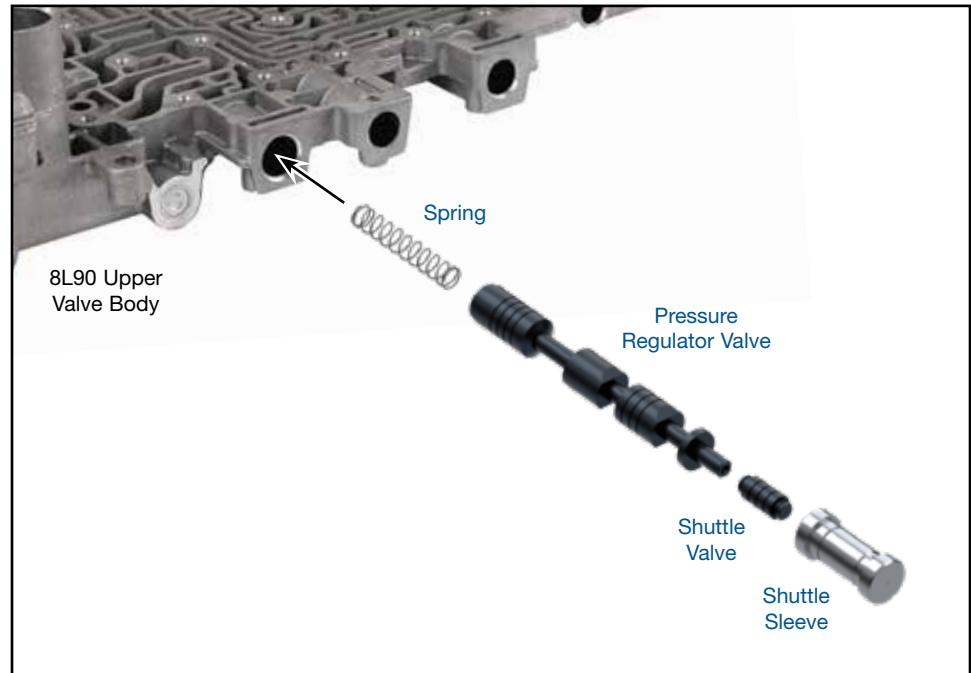
## Pressure Regulator & Shuttle Valve Kit

Part No.

**154740-02K**

- Spring
- Pressure Regulator Valve
- Shuttle Valve
- Shuttle Sleeve

## GM 8L45, 8L90



**CAUTION!** Sonnax shuttle valve assembly included in this kit should only be used in combination with Sonnax pressure regulator valve. Linear dimensions have been altered, and mixing Sonnax and OE components could result in drivability issues.

### 1. Disassembly

- Remove and keep OE retainer clip for reuse.
- Remove and discard OE shuttle valve assembly, pressure regulator valve and spring.

### 2. Installation & Assembly

- Insert Sonnax spring into spring pocket of Sonnax pressure regulator valve and slide into bore spring end first.
- Install Sonnax shuttle valve and sleeve into bore, open end of sleeve first.
- Reinstall OE retainer clip to secure the components in the bore

### 3. Final Testing

Vacuum testing at the port(s) indicated holds the recommended minimum 18 in-Hg.

