

## Ford C4, C5

### "C" Code Servo Kit

**Part No.**  
**K13259C**

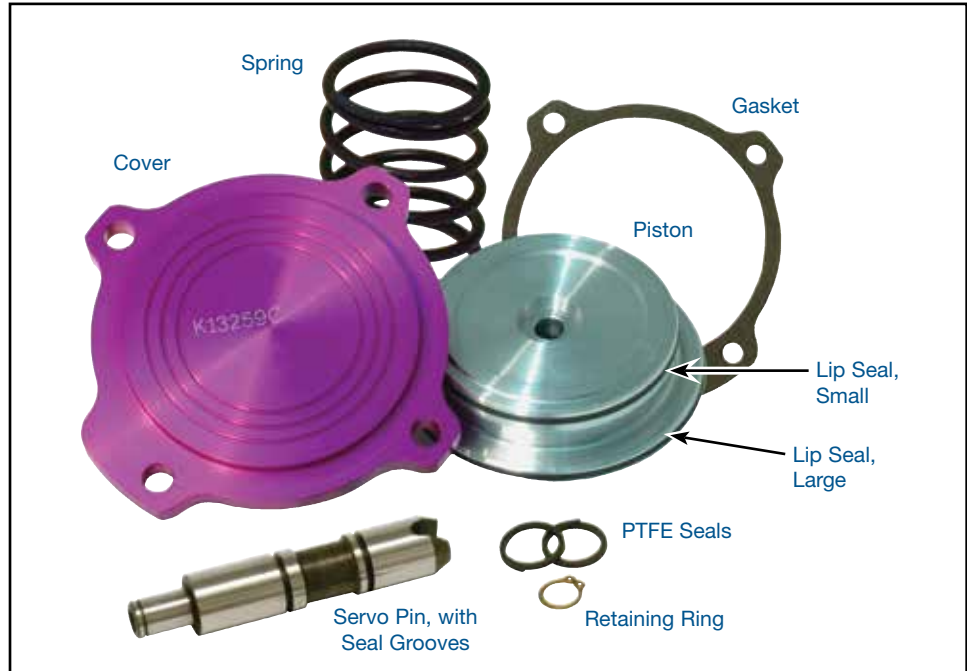
- Piston
- Cover
- Lip Seal, Small
- Lip Seal, Large
- Servo Pin with Seal Grooves
- Gasket
- Retaining Ring
- Spring
- PTFE Seals (2)

#### Also Available

**"C" Code Servo Kit**  
**K13259C-1** Plain Aluminum Cover

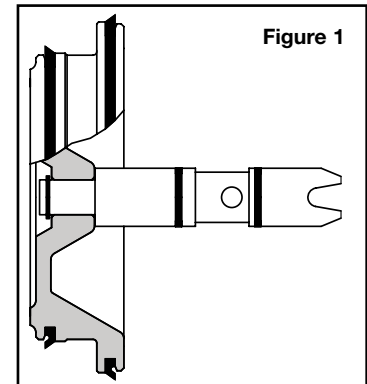
**Replacement Seal Kit**  
**K13259C-SK**

**Lip Seal Retrofit Kit**  
**K13259C-SKR**



### 1. Servo Replacement

- Remove and discard the OE C4 intermediate servo assembly and any remaining gasket material on the case surface.
- Install the two Sonnax lip seals on the Sonnax piston with the lips facing away from each other (**Figure 1**) and secure it onto the Sonnax servo pin with the Sonnax snap ring.
- Replace the entire piston assembly with Sonnax "C" ratio servo assembly **K13259C** per the standard procedures.



### 2. Retrofit Case

- Remove the original Sonnax servo assembly and any remaining gasket material on the surface of the case or servo cover.
- Replace original Sonnax spring seal piston with new piston.
- Install the two Sonnax lip seals on the new piston with the lips facing away from each other (**Figure 1**) and secure it onto the servo pin with the new Sonnax snap ring.

**NOTE:** The Sonnax C4 "C" ratio piston, piston cover and servo pin come pre-assembled and pre-lubed. However, you must apply an approved assembly lube to the O-rings and the large case bore, as well as to the PTFE seals on the servo pin prior to installing the piston assembly into the case.