

Bypass Clutch Control Plunger Valve Kit

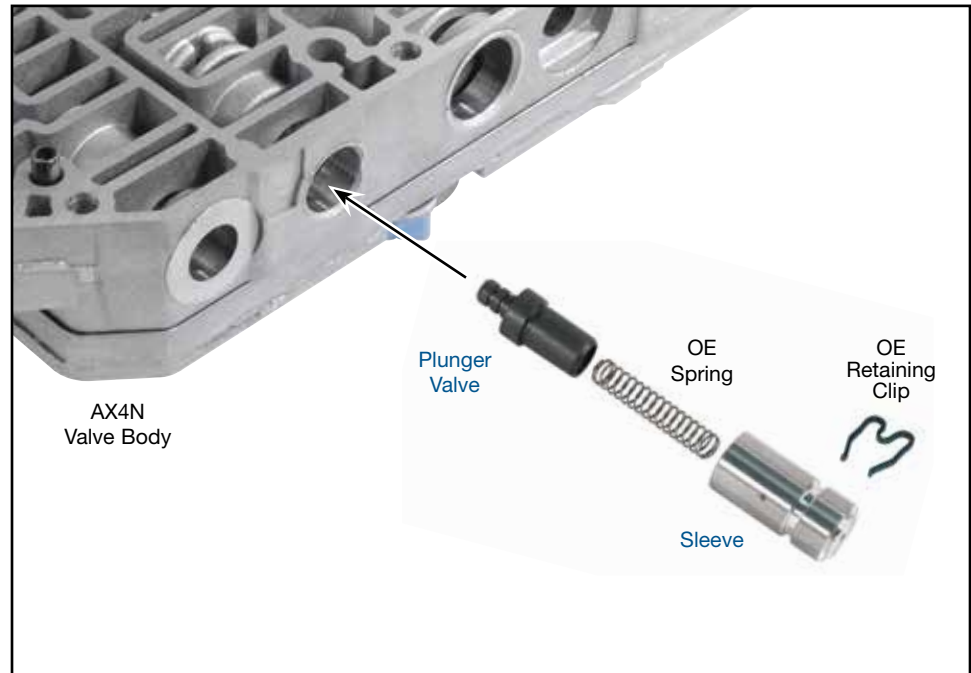
Part No.

96206-03K

- Plunger Valve .486" Large Spool
- Sleeve

NOTE: Must measured OE valve spools. This kit fits OE spools measuring .486" and .415".

Ford 4F50N, AX4N



1. Disassembly

- Remove OE retaining clip.
- Remove OE bypass clutch control sleeve and plunger valve assembly from valve bore.



NOTE: Measure critical OE spool diameters. Ensure Sonnax replacement has the same diameters. Mismatched replacement will cause TCC apply and other engagement issues.

- Discard OE plunger valve and sleeve.

2. Installation & Assembly

- Place OE compression spring into the pocket in Sonnax valve.
- Insert the spring and valve assembly into Sonnax sleeve, spring end first.
- Install this assembly into the valve bore, with nubbed end of the valve inward.
- Press into the bore just far enough to insert OE retaining clip.