

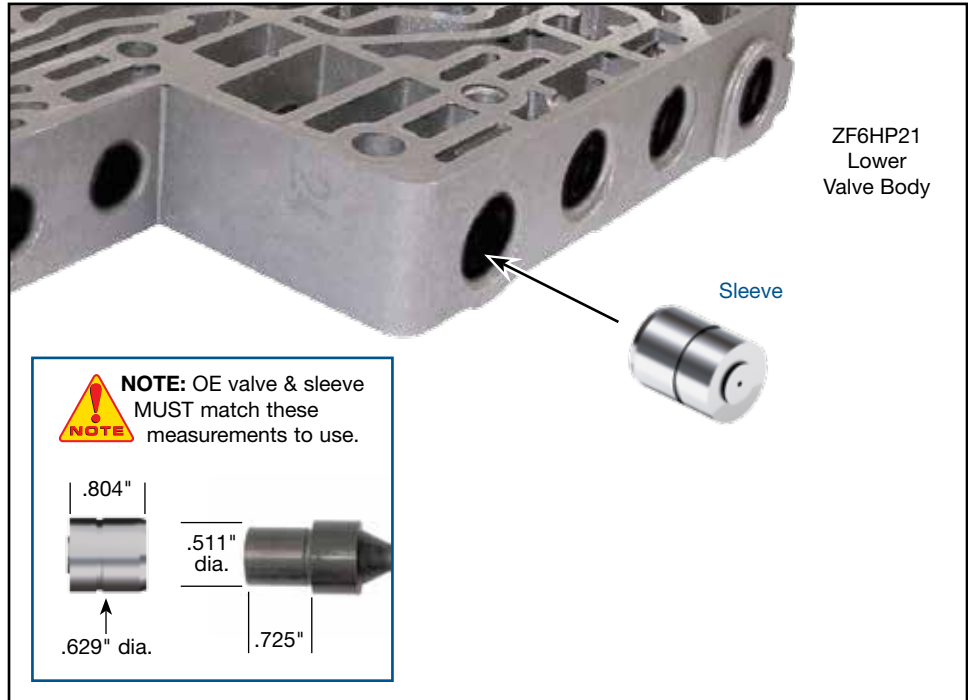
ZF6HP21, ZF6HP28, ZF6HP34

Pressure Regulator Sleeve

Part No.
95740-29K



NOTE: Kit is not compatible with ZF6HP19/26/32 (Gen. 1) units. To differentiate between Gen. 1 and Gen. 2 valve bodies, refer to ZF Identification Guide at www.sonnax.com.



NOTE: OE valve & sleeve MUST match these measurements to use.



1. Disassembly

- a. Remove OE retaining clip and keep for reuse.
- b. Remove and discard OE pressure regulator sleeve.

2. Installation & Assembly

- a. Install Sonnax pressure regulator sleeve.
- c. Reinstall the OE retaining clip.

3. Final Testing

Vacuum testing at the port(s) indicated holds the recommended minimum 16 in-Hg.

