

**Aisin AW TF-60SN, TF-80SC, TF-81SC;
Mini 6F21WA; VW/Audi 09G, 09K, 09M**

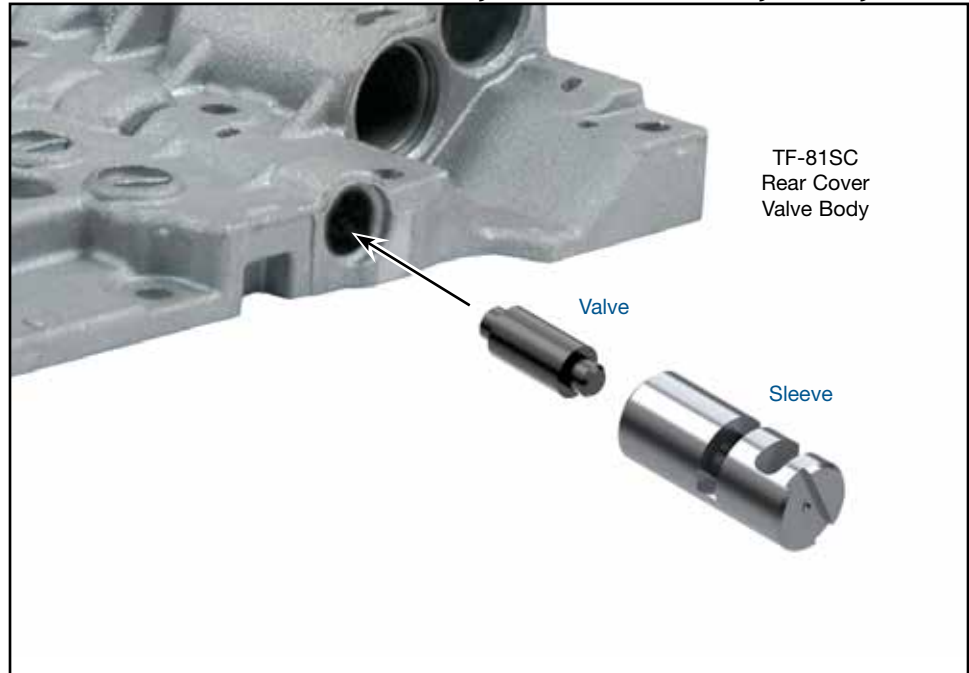
**Lockup Clutch
Control Plunger
Valve Kit**

Part No.

15741-53K

- Valve
- Sleeve

NOTE: This kit also fits Volvo (AM6); Opel (AF40); Peugeot (TF80); Saab (AF40/6); LandRover (TF80); Ford (AF21); Mazda (AW6A-EL).



1. Disassembly

- Remove and save OE retainer for reuse.
- Remove and discard OE sleeve and plunger valve.

2. Installation & Assembly

- Install Sonnax plunger valve and sleeve.
- Reinstall OE retainer.

3. Final Testing

Vacuum testing at the port(s) indicated holds the recommended minimum 18 in-Hg.

